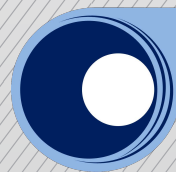


GCPS HDPE FUSIBLE VALVES

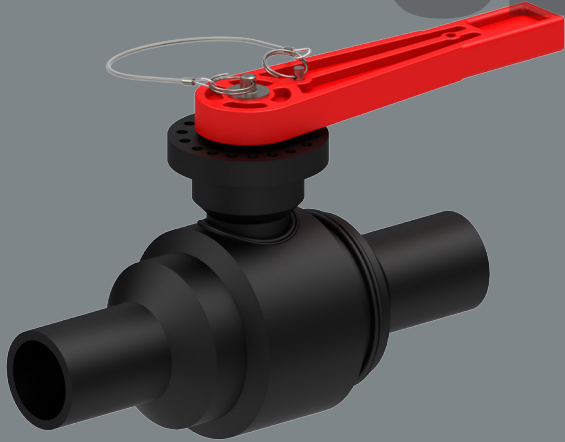
TIMESAVER™



GCPS
GLOBAL COMPOSITE PIPING SOLUTIONS

GCPS HDPE TIMESAVER™ VALVES

SERIES 89



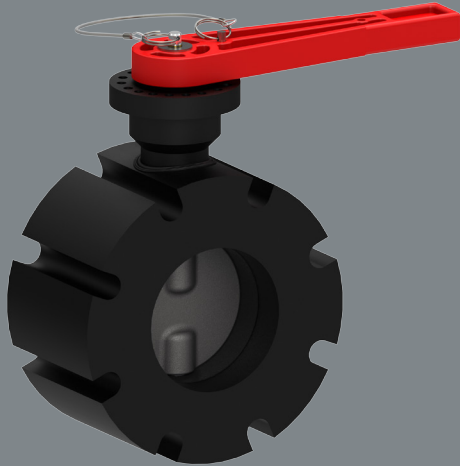
FUSIBLE BUTTERFLY VALVE

Series 89 fusible butterfly valves are designed for quick, direct heat butt-fusion or electrofusion into HDPE piping systems. The series 89 leak-free system enables ease of installation and eliminates the need for flange adaptors, spacers, back-up rings, nuts, bolts or gaskets.



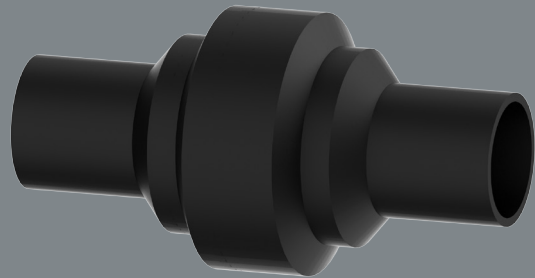
FUSIBLE DUAL CONTAINMENT BUTTERFLY VALVE

Series 890, dual-containment butterfly valves include a second pipe housing. This unit can be fused into new or existing dual-containment (Double Wall) HDPE pipelines, eliminating the need for valve boxes or vaults.



WAFER BUTTERFLY VALVE

The Series 891 wafer butterfly valve utilizes existing flanges, eliminating the need for valve spacers. The wafer valve is preferred in applications where easy access into piping systems is needed.



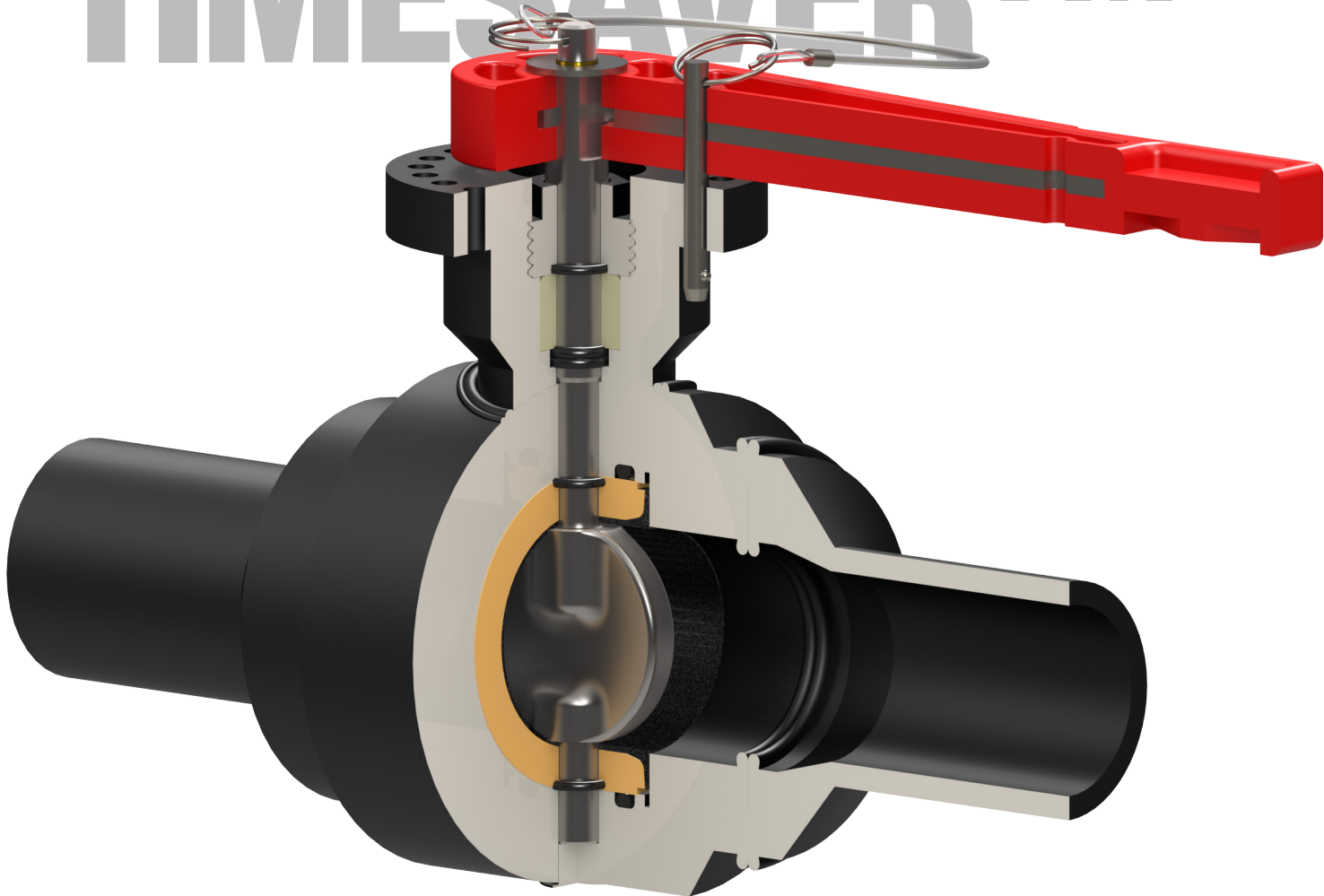
FUSIBLE CHECK VALVE

The series 892 fusible check valve is engineered to fully prevent back flow. These units are manufactured with a full HDPE body and will provide years of service and performance.

HDPE BUTTERFLY VALVES

SERIES 89

TIMESAVER™



GCPS TIMESAVER™ VALVE FEATURES

- GCPS Series 89 TIMESAVER™ valves (excluding the wafer valve) are designed for quick, direct heat butt-fusion or electrofusion into HDPE piping systems. The series 89 leak-free system enables ease of installation and eliminates the need for flange adaptors, spacers, back-up rings, nuts, bolts or gaskets.
- ASTM A582 316 stainless steel stems and discs on butterfly, dual-containment and wafer valves
- 360 degree incremental positioning lever standard for 2" through 6" valves; gearboxes standard on 8" and above
- Stem extensions available from 1 to 9 feet, in 6 inch increments
- Phenolic seat ring with bonded NBR on butterfly, dual-containment and wafer valves
- IPS valve sizes range from 2" through 12" with larger sizes and DIPS available upon request
- All GCPS TIMESAVER™ valves are covered by a 1 year warranty

FUSIBLE
FIBRES

GCPs Company Locations

Global Composite Piping Solutions

9595 Six Pines Drive
Suite 8210
The Woodlands, TX 77380
USA

Tel.: 832.631.6029
www.gcps.com



GCPs

GLOBAL COMPOSITE PIPING SOLUTIONS